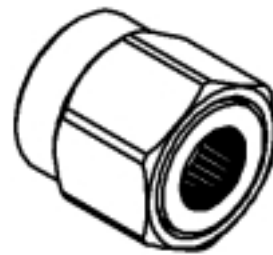
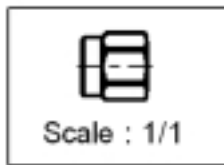
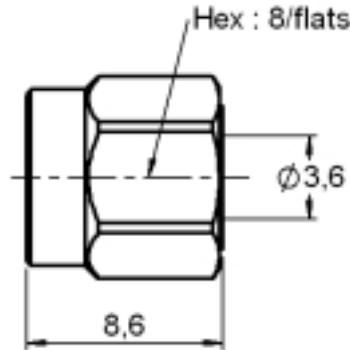


STRAIGHT PLUG CRIMP TYPE

R125.055.941

CABLE .141

Series : SMA



All dimensions are in mm.

COMPONENTS	MATERIALS	PLATING
BODY	STAINLESS STEEL	PASSIVATED . µm
CENTRE CONTACT	BERYLLIUM COPPER	GOLD 1.3 OVER NICKEL 2 µm
OUTER CONTACT	-	- µm
INSULATOR	PTFE	
GASKET	SILICONE RUBBER	
OTHERS PARTS	STAINLESS STEEL	PASSIVATED . µm
-	-	-
-	-	-



Edition : 9840 A

Design changes may be in order to improve the product.

STRAIGHT PLUG CRIMP TYPE

R125.055.941

CABLE .141

Series : SMA

ELECTRICAL CHARACTERISTICS

Impedance **50** Ω
 Frequency **0-26.5** GHz
 VSWR **1.05 + 0.010** x F(GHz) Maxi
 Insertion loss **0.03** √F(GHz) dB
 RF leakage - (**60** - F(GHz)) dB mini
 Operating temperature **-65/+105** °C
 Voltage rating **500** Veff Maxi
 Dielectric withstanding **1000** Veff mini
 Insulation resistance **5000** MΩ mini

SPECIFICATION

Stripping	a	b	c	d	e	f
mm	2.16	0.00	0.00	0.00	0.00	0.00

Assembly instruction :

Recommended cables
 RG 402
 KS 2

Cable retention

- pull off **270** N mini
 - torque **NA** N.cm

MECHANICAL CHARACTERISTICS

Centre contact retention
 Axial force – Mating end **15** N mini
 Axial force – Opposite end **15** N mini
 Torque **NA** N.cm mini

Recommended torque
 Mating **100** N.cm
 Panel nut **NA** N.cm
 Clamp nut **NA** N.cm
 A/F clamp nut **0.000** mm

Mating life **500** Cycles mini
 Weight **2.700** g

TOOLING

Part Number	Description	Hexagon
.	.	.
R282.711.000	GUIDE	
R282.053.000	STRIPPING TOOL	
R282.066.000	POINTER GAUGE	
R282.700.010	POSITIONER	
R282.286.000	CRIMPING TOOL	-

OTHERS CHARACTERISTICS

-

ENVIRONMENTAL

Hermetic seal **NA** Atm.cm3/s
 Leakage – pressurised only **NA** Mpa



Edition : 9840 A

Design changes may be in order to improve the product.